

ENGINE

Model	: MITSUBISHI 6D16-T
Type	: Water-cooled 4 cycle, in-line, 6-cylinders, direct-injection, diesel engine, with turbo - charger
No.Of Cylinders	: 6
Displacement	: 7,545 cc
Net Power	: 135 HP (101 kW) @2200 rpm
Max torque	: 608 Nm
Emission Level	: Compatible with USA EPA Tier 1 and European

TRANSMISSION

- Powershift (planetary gear, hydraulically actuated) with 6 speeds for both forward and reverse

DIFFERENTIAL AND FINAL DRIVE

- Double-reduction by spiral bevel and planetary gears without differential

ARTICULATION

- 26° Left or Right

FRONT AXLE

Oscillation	: 15° Left or Right
Wheel lean	: 20° Left or Right
Ground Clearance	: 555 mm

BRAKES

Service Brakes	: Air-actuated, oil cooled disc brakes on four rear wheels
Parking Brake	: Spring-engaged, air disengaged multiple oil disc break on transmission shaft

TIRES

- 13.00-24-12 PR (G-2)

HYDRAULIC SYSTEM

Circuit	: Open - center
Oil pump	: Tandem gear pump
Capacity	: 60 + 60 + 60 L/min @ 2,200 rpm
Relief pressure	: 17.2 MPa

BLADE

Type	: In-seat bank type wear - resistant steel, with box - section reinforcement with hydraulic side-shift
Length x Height x Thickness	: 3,710 mm x 610 mm x 19 mm
Max. Blade Lift Above Ground	: 460 mm
Circle turning angle	: 360°
Max. Shoulder reach	: Left hand 1,890 mm Right hand 1,900 mm
Max. Bank Cutting Angle	: 90°
Cutting angle	: 36° to 81°

PERFORMANCE (Speeds)

Forward	1 st	3,6	km/h
	2 nd	6,3	km/h
	3 rd	10,2	km/h
	4 th	15,1	km/h
	5 th	26	km/h
	6 th	42,4	km/h
Reverse	1 st	3,7	km/h
	2 nd	6,4	km/h
	3 rd	10,4	km/h
	4 th	15,4	km/h
	5 th	26,4	km/h
	6 th	43,2	km/h
Minimum Turning Radius	: 6,6 m		

DIMENSIONS

Overall length	: 7,820 mm
Overall width	: 2,360 mm
Overall height	: 3,465 mm
Wheelbase	: 5,700 mm
Ground Clearance	: 380 mm
Tread	: Front: 1.980 mm : Rear: 2.000 mm
Distance between centers of tandem wheels	: 1,505 mm

WEIGHT

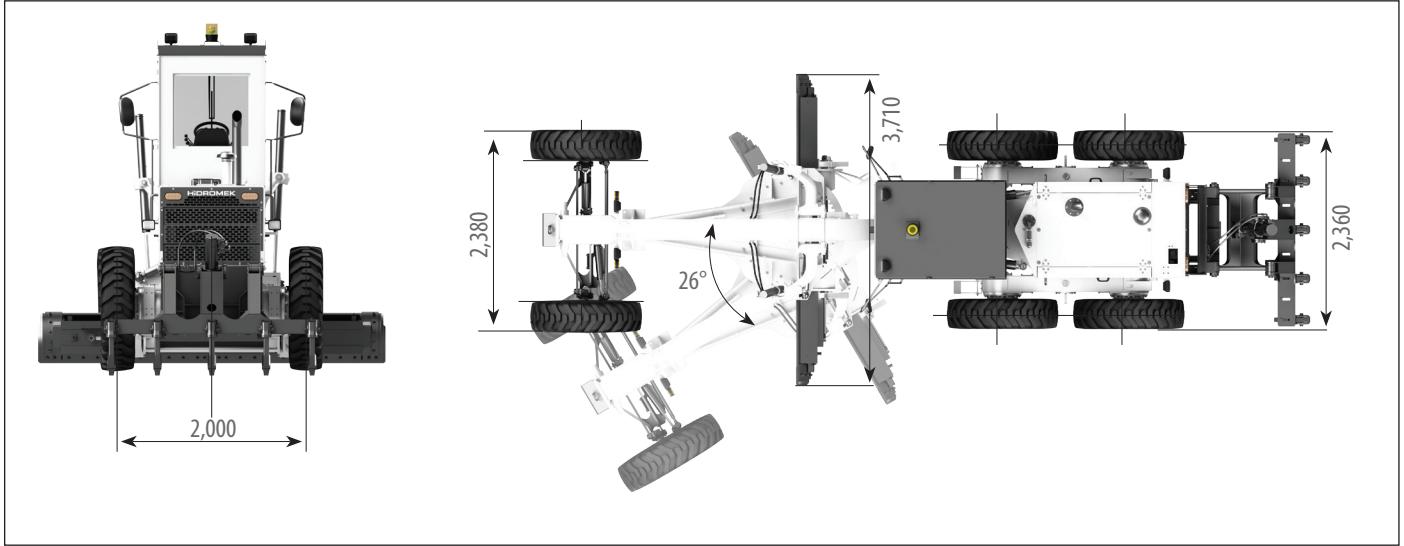
Operating weight	: 13.400 kg
------------------	-------------

Operational weight, complying with the ISO 6016 standards, includes full fuel tank, hydraulic system and other liquids, 75kg operator weight and standard equipped machine weight. Optional equipments are not included.

MG 330

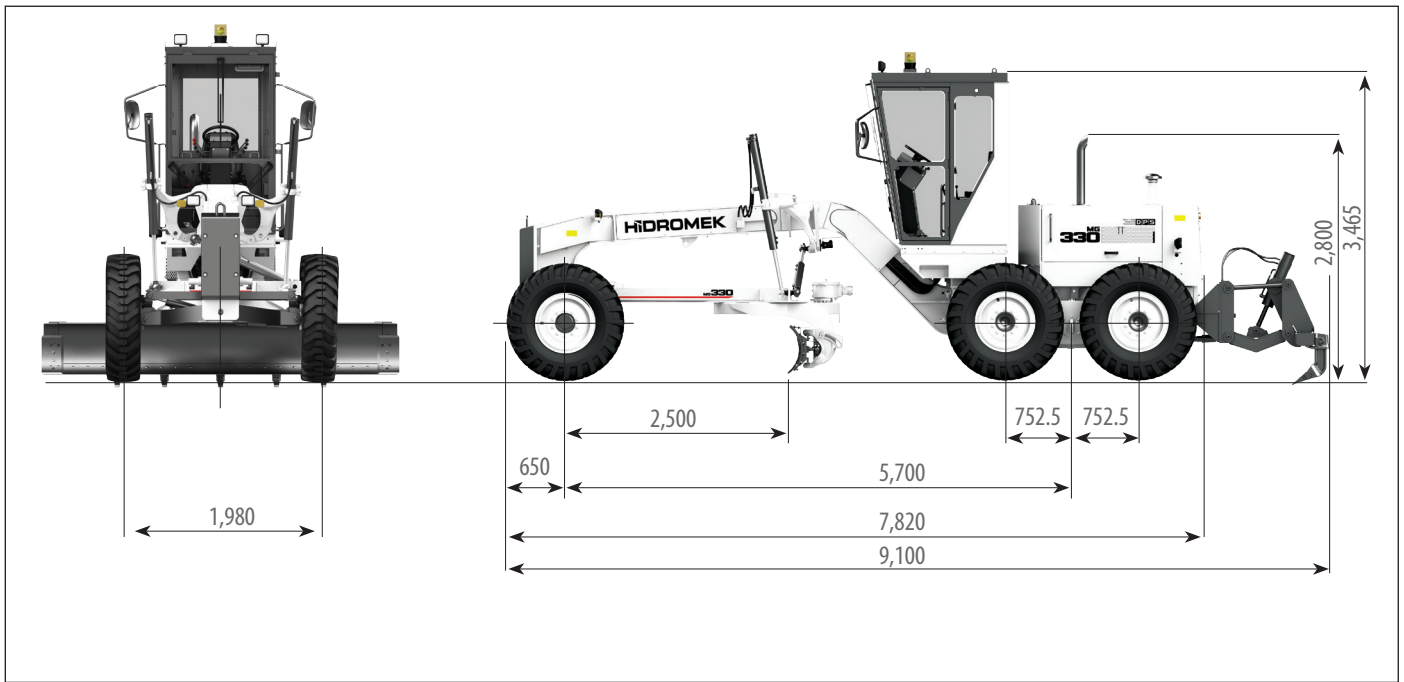
Dimensions (I)

Unit: mm



Dimensions (II)

Unit: mm



ENG - SEPTEMBER 2020

HIDROMEK

HIDROMEK CONSTRUCTION EQUIPMENT (THAILAND) LTD.

Amata Nakorn Industrial Estate Phase 7, 700/699 Moo 1, T. Phanthong,
A. Phanthong, Chonburi 20160 Thailand
Phone: 66 (0) 38-447-349-54 Ext. 20 Fax: 66 (0) 38-447-355

FACTORY - HEAD OFFICE

Ahi Evran OSB Mahallesi Osmanlı Caddesi No:1 06935 Sincan / ANKARA / TURKEY
Phone: (+90) 312 267 12 60 Fax: (+90) 312 267 21 18
www.hidromek.com

Notice:

- * HIDROMEK has the right to modify the specifications and design of the model indicated on this brochure without prior notice.
- * The equipment shown in the photos in this catalog includes some parts which are optional.